

Top Entry MultiPlex

Bag Housing

MultiPlex Key Features

- Standard vessels are ASME code, "UM" stamp. (Non-code vessels are also available)
- Standard - All wetted parts 316 Stainless Steel. (Carbon Steel and other materials available)
- 150 PSI working pressure, temp. 250°F Max. (Higher temperatures available upon request)
- Adjustable leg assembly and manifold supports allow elevation to be field adjusted.
- For use with standard #2 Bag Size (7" x 30").
- Designed for use with heavy duty, high efficiency bags and standard thickness conventional bags.
- Stainless Steel perforated baskets included with housings.
- Available in valved or non-valved optional configurations.
- Isolation valves allow one vessel's media to be changed while the another is left on-stream to continue filtering.
- Designed to withstand years of field and plant operation.
- Housing design allows the use of standard and high efficiency bags and a wide variety of o-ring material.



TYPICAL TWO FILTER
TOP ENTRY MULTIPLEX
BAG HOUSING UNIT

Top Entry MultiPlex Bag Housing Construction Features

The Top Entry Multi-Plex Bag Housing units are available in valved or non-valved optional configurations. Isolation valves allow one vessel's media to be changed while another is left on stream filtering. These high quality industrial and commercial service vessels are designed to withstand years of field and plant operation. The standard configuration of these units assures that they can be easily incorporated into your system. In applications requiring high volume filtration at moderate efficiency, the Top Entry

Multi-Plex Bag Housing will provide rugged and dependable service at a price that makes them the sure choice.

The design of the housing allows the use of standard and high efficiency bags and a wide variety of o-ring materials with no change in design. This means that whether its hydrocarbons, glycol, coolant, inks or water, the Top Entry Multi-Plex Bag Housing from Nowata Filtration will fit the need.

Growing Strong Since 1907
Box 678, Nowata, OK 74048
918-273-2204
800-259-2204
Fax: 918-273-2101
www.nowata.com
Email: mahle.nowata@us.mahle.com

Celebrating 100 Years
Made in the USA

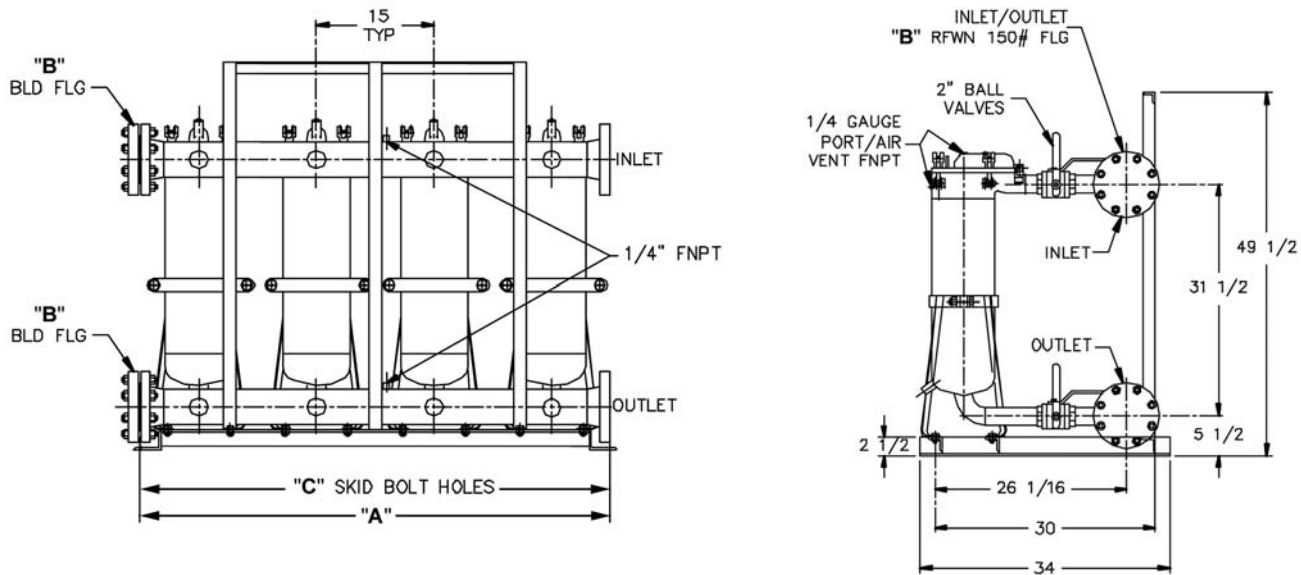


member of the amafiltergroup

Typical MultiPlex Bag Housing Model Number

WP	T	U	2	U	3	1	W	15	V
MultiPlex Bag Series	Inlet Location	Material of Construction	Number of Housings	ASME Code	Manifold Inlet/Outlet Size	Valves (with or without)	Inlet/Outlet Header Style	Pressure Rating	O-Ring Material

Standard Construction for the MultiPlex Bag Housing



Due to our continuing program of product improvement, specifications are for reference only and subject to change without notice. Dimensions shown in Inches.

Dimensions are the Same With or Without Valves. Dimensions shown are in inches.				
MODEL	NUMBER OF VESSELS	"A" HEADER FACE TO FACE	"B" HEADER FLANGE SIZE	"C" SKID BOLT HOLE CENTERS
WPTU2U31W15	2	40	3" 150#	33-3/4
WPTU3U31W15	3	55	3" 150#	48-3/4
WPTU4U41W15	4	60	4" 150#	59-3/4

Construction Notes for the MultiPlex Bag Housing

The standard material of construction for the Nowata Filtration Top Entry MultiPlex Bag Housing is wetted 316 Stainless Steel. The lid assembly is an investment casting of the same material. The leg skid assembly and bolting are painted or plated carbon steel. Standard o-ring material is Viton in both front and rear seals. The standard drain port for each vessel is 3/4" FNPT, mounted in the bottom elliptical head. There are two

1/4" FNPT Vent/Gauge Ports located at the top of the lid assembly, as well as on the inlet and outlet manifold. Both the front and rear o-ring grooves are located on the body of the unit. This allows the o-rings to maintain their placement during bag changeout. The standard material of construction for the baskets is 316 Stainless Steel. Customized baskets are available upon customer request.